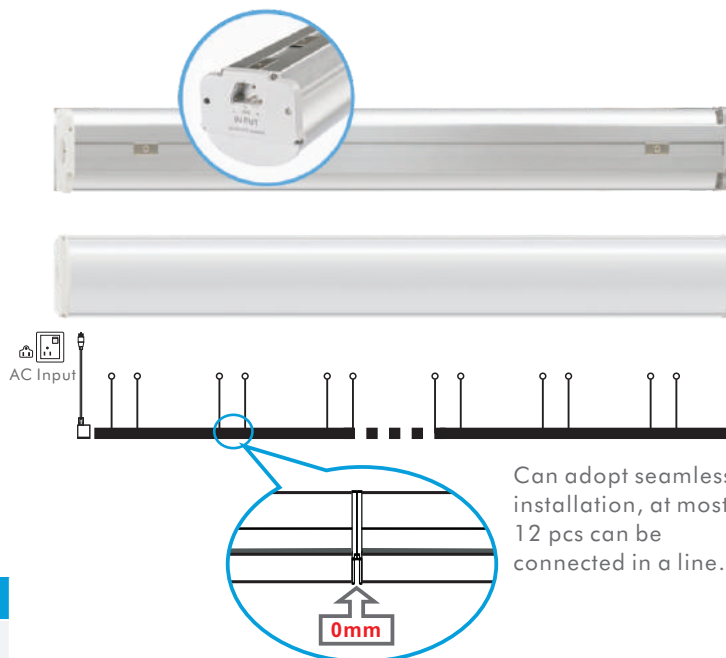


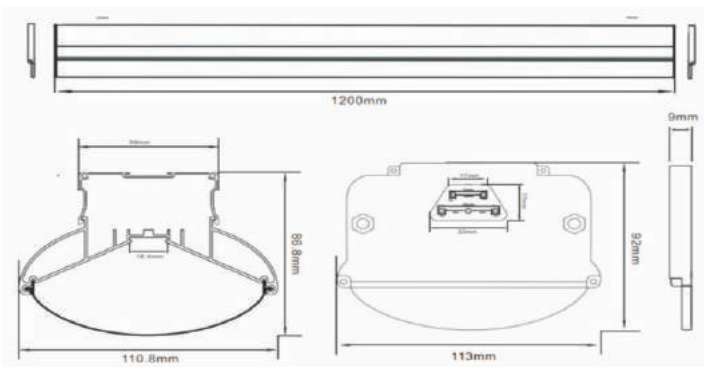
## LED SHOP LIGHT(120LM/W)

- DLC, ETL and RoHS listed
- Patented design, elegant appearance, good heat dissipation
- Emitting area is large, soft light, no glare
- Sling rope installation or fixed installation for options
- Equipped with American standard plug, simple to install and use
- Can adopt seamless installation, at most 12 pcs can be connected in a line
- Adopt high light efficacy design, whole light > 120LM/W
- 0-10V dimming, can change the brightness
- LM 80 light source, low luminous decay, long life, 5 years warranty



## Specifications

| Model No.       | SNIN-120           | SNIN-120           |
|-----------------|--------------------|--------------------|
| Length          | 4FT                | 4FT                |
| Power           | 36W                | 60W                |
| Voltage         | 100-277VAC         | 100-277VAC         |
| Frequency       | 50-60Hz            | 50-60Hz            |
| PF              | >0.9               | >0.9               |
| THD             | <14%               | <14%               |
| Dimming         | 0-10V              | 0-10V              |
| CCT             | 3000K,4000K,5000K  | 3000K,4000K,5000K  |
| CRI(Ra)         | 80+                | 80+                |
| Efficacy        | 120LM/W(5000K)     | 110LM/W(5000K)     |
| Lumens          | 4300LM(5000K)      | 6600LM(5000K)      |
| LED Model       | SMD2835            | SMD2835            |
| LED Quantity    | 224PCS             | 224PCS             |
| Beam Angle      | 120°               | 120°               |
| Operating Temp. | -40°-122°F         | -40°-122°F         |
| Lifespan        | 50,000H            | 50,000H            |
| IP Rating       | IP 40              | IP 40              |
| Certificates    | DLC,cETL,ETL,RoHS  | DLC,cETL,ETL,RoHS  |
| Warranty        | 5 years            | 5 years            |
| Installation    | Sling rope mounted | Sling rope mounted |
| Product Size    | L1200*W113*H92mm   | L1200*W113*H92mm   |
| Product N.W.    | 2.0KGS             | 2.2KGS             |
| Packing Method  | 6PCS/box           | 6PCS/box           |
| Pack Size       | L1220*W260*H350mm  | L1220*W260*H350mm  |
| Carton G.W.     | 17.0KGS            | 18.2KGS            |



## Applications

- Factories, Warehouses, Hotels, Supermarkets
- Parking lots
- Stadiums and other indoor places

